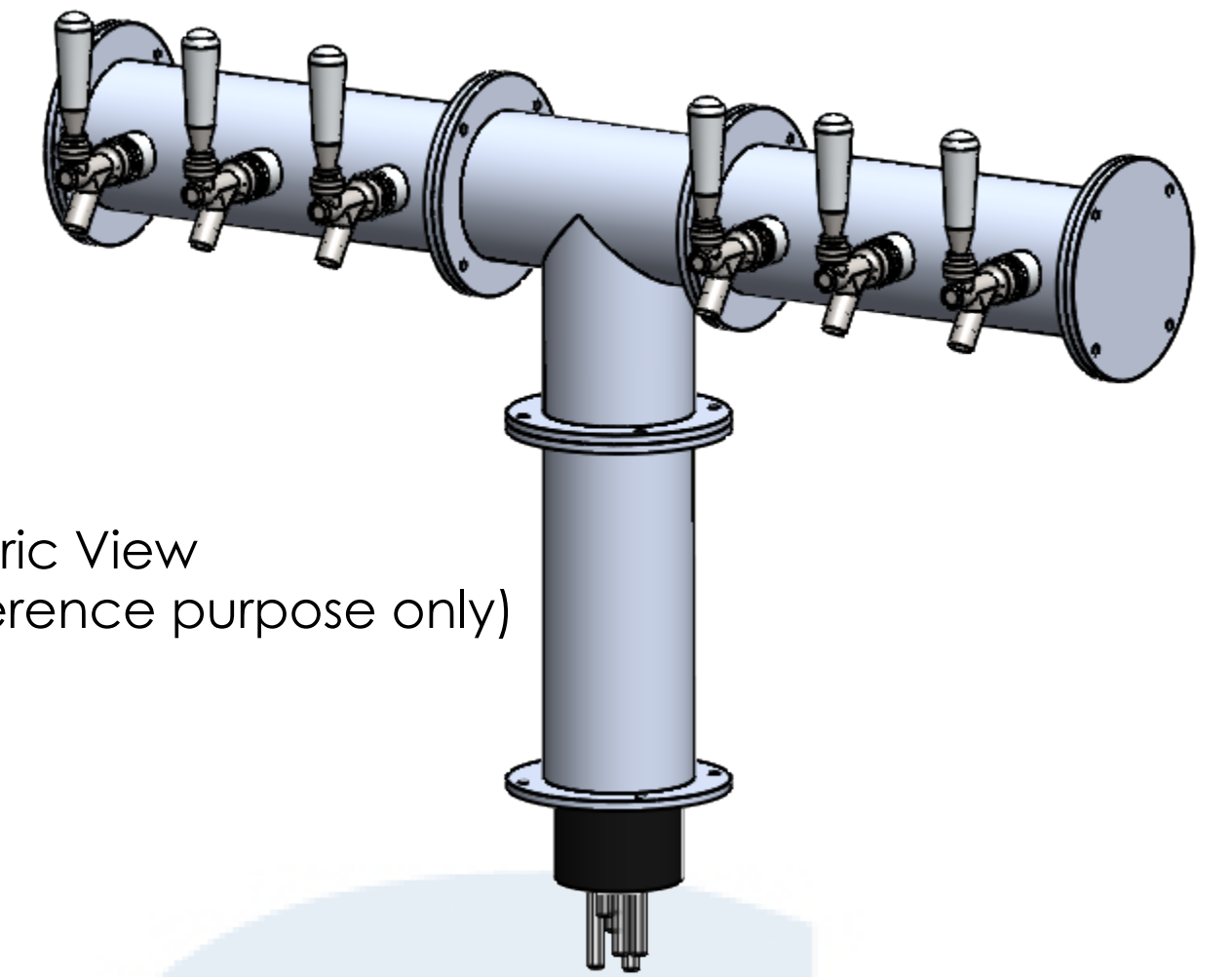
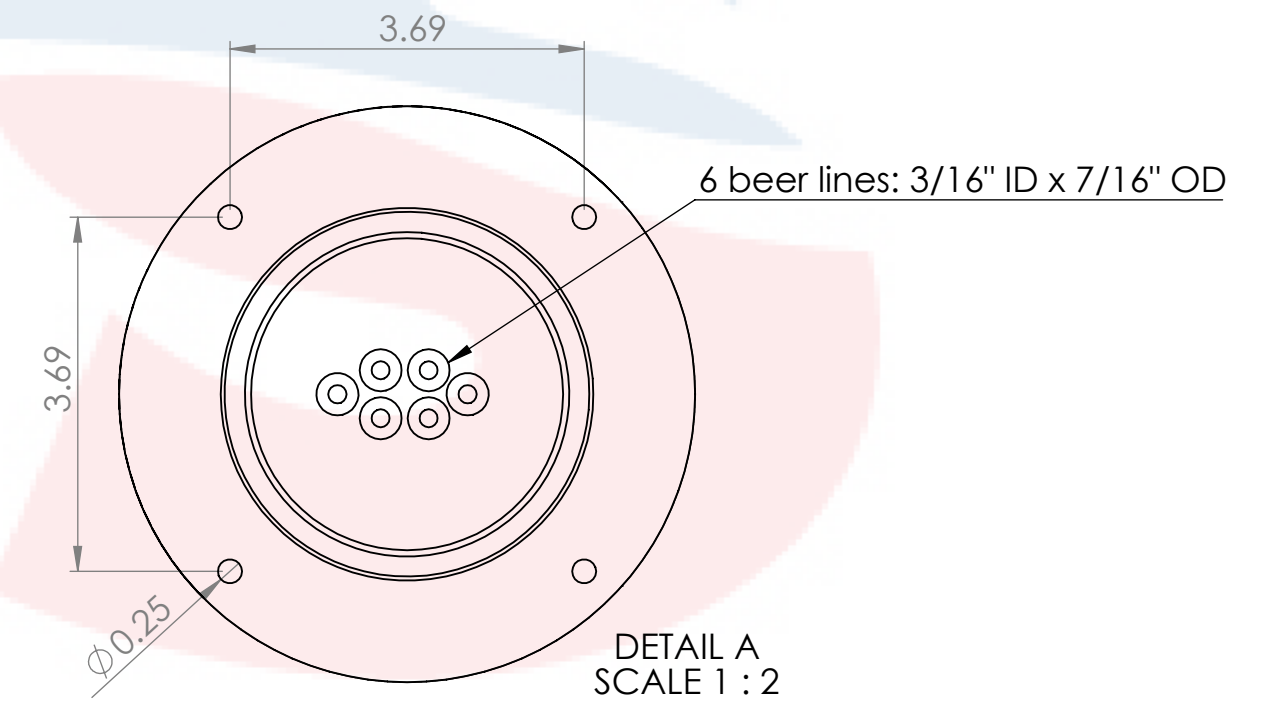


304SS tube connected to CBS NSF Flexible Total Barrier Tubing to 15lbs of Restriction



Isometric View  
(For reference purpose only)



Suggested Drip Tray:  
 BB701330 - 30" x 7" BSS Drip Tray  
 BB702430 - 30" x 7" BSS Spray Drip Tray



Name		Date		Title:	
Drawn by:	Canadian Beverage Supply Inc.	11/17/2022		4" 6 Tap Condor Tower	
Approved by:	VP Sales				
Material:	304 SS	Finish:	Brushed SS	Part Number:	Revision:
Unless otherwise mentioned, dimensions are inches				BB102610-06SS	
SCALE: 1:5				SHEET 1 OF 1	